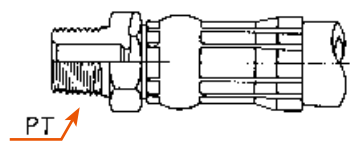
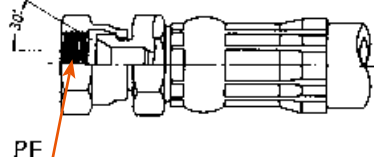
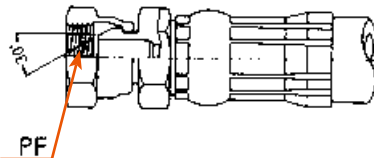
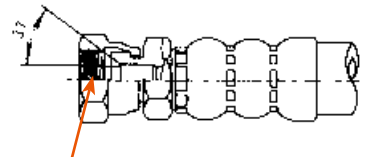
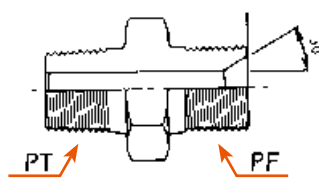
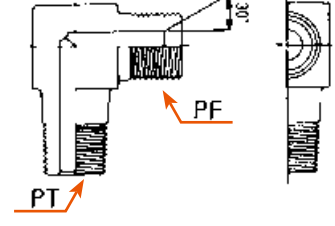
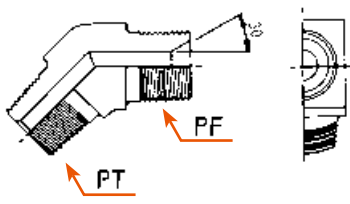
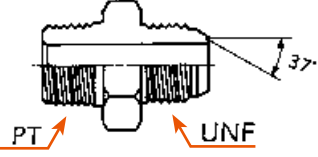


Technical Data 高壓管技術資料

Fitting & adapter for SAE 100R1/R2 Hydraulic hose 高壓管常用金屬街頭及轉接頭

Fitting	Part no.
1001 PIPE MALE PT 	1001-04
	1001-06
	1001-08
	1001-10
	1001-12
	1001-16
	1004 FEMALE SHEET 凹 30 FLARE SWIVEL PF 
1004-06	
1004-08	
1004-10	
1004-12	
1004-16	
1005 MALE SHEET 30 FLARE SWIVEL PF 	
	1005-06
	1005-08
	1005-10
	1005-12
	1005-16
	6013 SAE 37 FLARE WEIVEL UNF 
6013-06	
6013-08	
6013-10	
6013-12	
6013-16	

Adapter	Part no.
1009 (for 1005) MALE PT + MALE PF 	1009-04
	1009-06
	1009-08
	1009-10
	1009-12
	1009-16
	1034 (for 1005) 90 elbow MALE PT + MALE PF 
1034-06	
1034-08	
1034-10	
1034-12	
1034-16	
1036 (for 1005) 45 elbow MALE PT + MALE PF 	
	1036-06
	1036-08
	1036-10
	1036-12
	1036-16
	4028 (for 6013) MALE PT + MALE UNF 
4028-06	
4028-08	
4028-10	
4028-12	
4028-16	